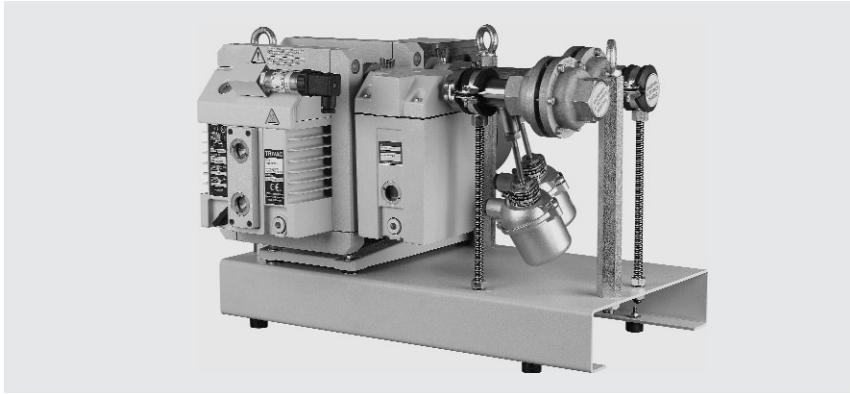


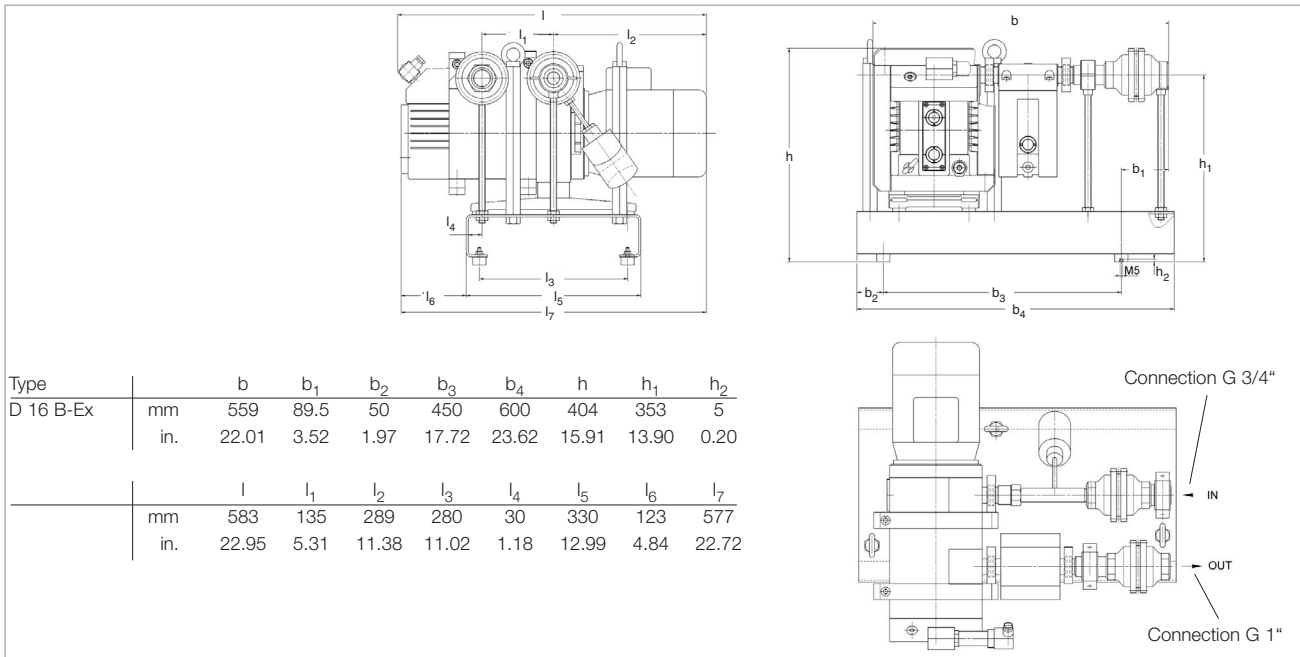
# TRIVAC D 16 B-Ex (Explosion Protected and Pressure Burst Resistant)



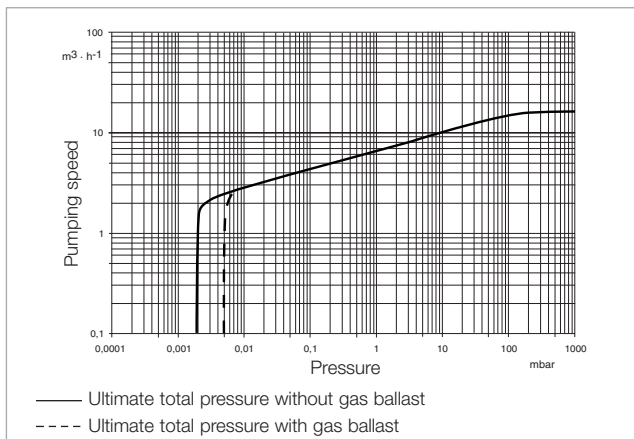
**ATEX**

Category 1 inside and 2 outside

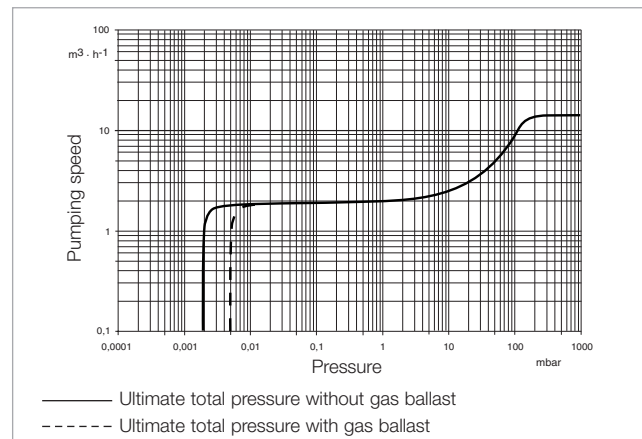
TRIVAC D 16 B-Ex



Dimensional drawing for the TRIVAC 16 B-Ex (explosion protected and pressure burst resistant)



Pumping speed characteristics of TRIVAC D 16 B-Ex [IIB3 T4]  
 (Part No. 140 091)



Pumping speed characteristics of TRIVAC D 16 B-Ex [IIC T4]  
 (Part No. 140 092)

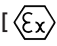
## Technical Data

## TRIVAC D 16 B-Ex (Explosion Protected and Pressure Burst Resistant) Two-Stage

|   |  |  |
|---|--|--|
| Nominal pumping speed <sup>1)</sup>                             | m <sup>3</sup> x h <sup>-1</sup> (cfm) | 18.9 (11.1)  |
| Pumping speed<br>(for Part No. 140 091 / 140 092) <sup>1)</sup> | m <sup>3</sup> x h <sup>-1</sup> (cfm) | 16 / 15 (9.4/8.8)                                  |
| Ultimate total pressure<br>without gas ballast <sup>1)</sup>    | mbar (Torr)                            | 1 x 10 <sup>-4</sup> (< 0.75 x 10 <sup>-3</sup> )  |
| Ultimate total pressure<br>with gas ballast <sup>1)</sup>       | mbar (Torr)                            | < 5 x 10 <sup>-3</sup> (< 3.8 x 10 <sup>-3</sup> ) |
| Water vapor tolerance <sup>1)</sup>                             | mbar (Torr)                            | 25 (18.75)   |
| Water vapor capacity  | gm/h                                   | 305  |
| Oil filling, min. / max.  | l (qt)                                 | 0.55 / 1.3 (0.58 / 1.4)                            |
| Motor   |  | 3~, 230 V / 400 V, 50 Hz, EEx e II T4              |
| Type of protection  | IP                                     | 54   |
| Maximum gas inlet temperature                                   | °C (°F)                                | 60 (260)   |
| Highest permissible pressure<br>in the oil box                  | mbar (Torr)                            | 500 (375)  |
| Ambient temperature (t <sub>a</sub> )                           | °C (°F)                                | 12 - 40 (46 - 104)                                 |
| Maximum surface temperature                                     | °C (°F)                                | 135 (275)  |
| Max. Inlet pressure   | mbar (Torr)                            | Atmospheric pressure                               |
| Weight (complete systems)                                       | kg (lbs)                               | 72 (159)   |
| Connections   |  |  |
| Intake side   | Inside thread                          | G 3/4"   |
| Pressure side   | Inside thread                          | G 1"   |

## Ordering Information

## TRIVAC D 16 B-Ex (Explosion Protected and Pressure Burst Resistant) Two-Stage

|   |  |
|---|--|
| <p>TRIVAC D 16 B-Ex IIB3 T4<br/>in accordance with 94/9/EC<br/>[  II inside: 1G IIB3 T4<br/>outside: 2G IIB T4<br/>(12 °C &lt; t<sub>a</sub> &lt; 40 °C) X<br/>EC Type Examination Certificate:<br/>IBExU03ATEX1017 X]</p>   | <p><b>Part No. 140 091</b></p>               |
| <p>TRIVAC D 16 B-Ex IIC T4 <sup>2)</sup><br/>in accordance with 94/9/EC<br/>[  II inside: 1G IIC (no C<sub>2</sub>H<sub>2</sub>, CS<sub>2</sub>) T4<br/>outside: 2G IIC T4<br/>(12 °C &lt; t<sub>a</sub> &lt; 40 °C) X<br/>EC Type Examination Certificate:<br/>IBExU03ATEX1016 X]</p> | <p><b>Part No. 140 092 <sup>2)</sup></b></p> |

<sup>1)</sup> To DIN 28 400 and following numbers

<sup>2)</sup> with the exception of acetylene and carbon bisulphide