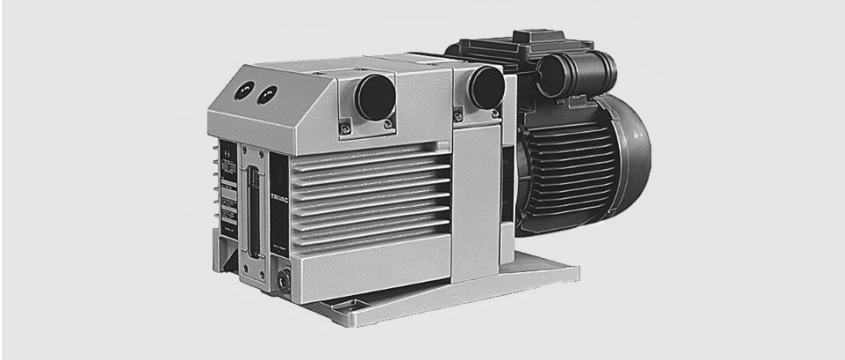
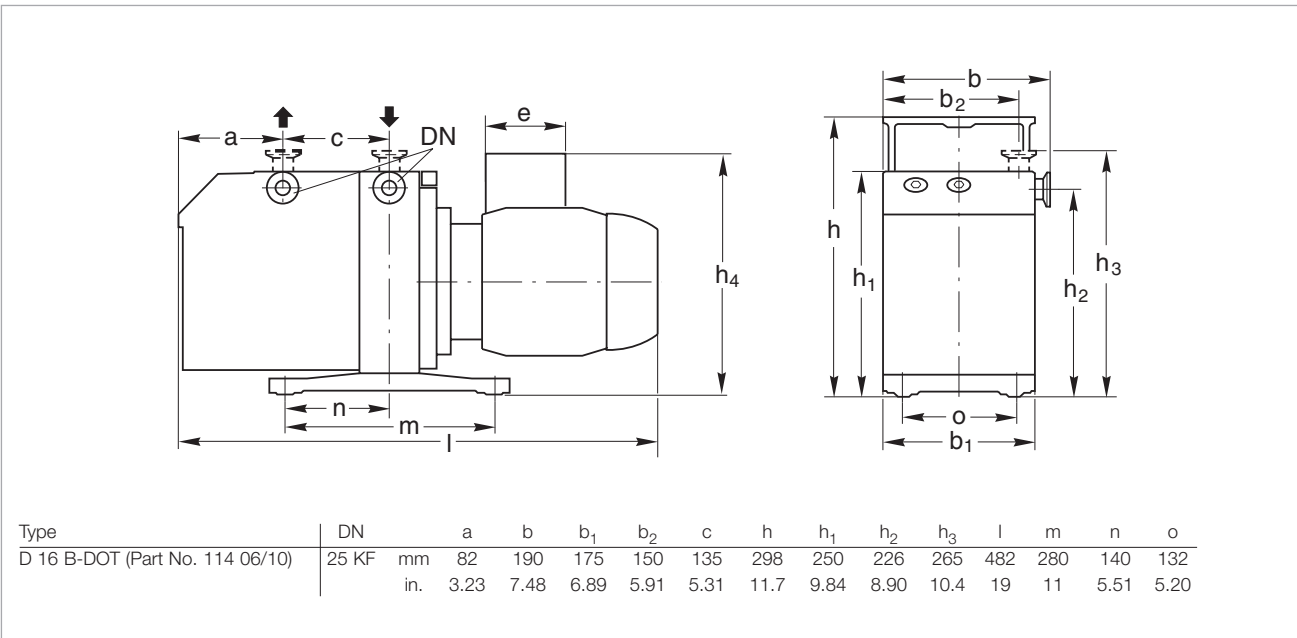


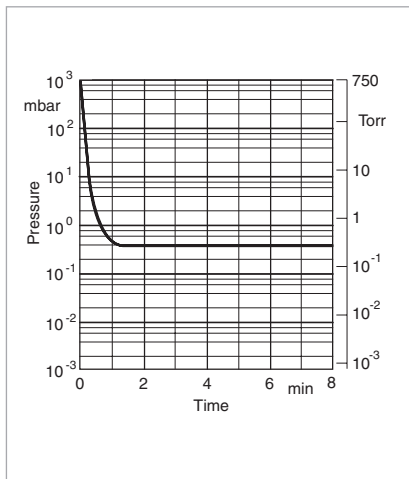
TRIVAC D 16 B-DOT



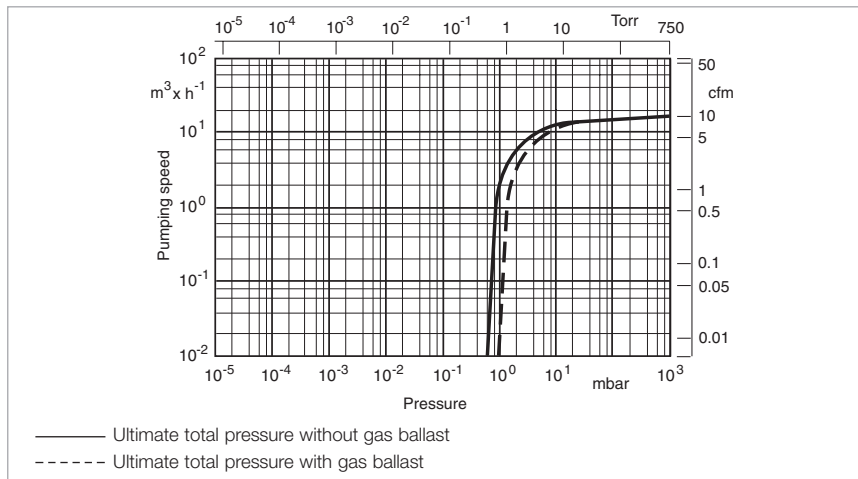
TRIVAC D 16 B-DOT



Dimensional drawing for the TRIVAC D 16 B-DOT



Pump-down characteristics of a 10 l vessel at 50 Hz



Pumping speed characteristics at 50 Hz (60 Hz curves at the end of the section)

Technical Data

TRIVAC D 16 B-DOT

		50 Hz	60 Hz
Nominal pumping speed ¹⁾	m ³ x h ⁻¹ (cfm)	18.9 (11.1)	22.7 (13.4)
Pumping speed ¹⁾	m ³ x h ⁻¹ (cfm)	16.5 (9.7)	19.8 (11.7)
Ultimate total pressure without gas ballast ¹⁾	mbar (Torr)	< 6 x 10 ⁻¹ (< 4.5 x 10 ⁻¹)	< 6 x 10 ⁻¹ (< 4.5 x 10 ⁻¹)
Ultimate total pressure with gas ballast ¹⁾	mbar (Torr)	< 9 x 10 ⁻¹ (< 6.75 x 10 ⁻¹)	< 9 x 10 ⁻¹ (< 6.75 x 10 ⁻¹)
Water vapor tolerance ¹⁾	mbar (Torr)	25 (18.75)	25 (18.75)
Water vapor capacity	g/h	259	259
Brake fluid filling, min. / max.	l (qt)	0.45 / 1.0 (0.5 / 1.1)	0.45 / 1.0 (0.5 / 1.1)
Noise level to DIN 45 635, without / with gas ballast	dB(A)	52 / 52	52 / 52
Admissible ambient temperature	°C (°F)	12 - 40 (54 - 104)	12 - 40 (54 - 104)
Motor rating	W (HP)	550 (0.75)	550 (0.75)
Nominal speed	rpm	1500	1800
Type of protection ²⁾	IP	54	54
Weight	kg (lbs)	26 (57.3)	26 (57.3)
Connections, Intake and Exhaust	DN	25 KF	25 KF

Ordering Information

TRIVAC D 16 B-DOT

	Global Version	North and South America Version
TRIVAC B-DOT with 3-phase motor 230/400 V, 50 Hz; 250/440 V, 60 Hz 230/400 V, 50 Hz; 250/440 V, 60 Hz with 1-phase motor 115 V, 60 Hz with 3-phase motor 208-230/460 V, 60 Hz 208-220/380 V, 50 Hz	Part No. 114 06 Part No. 114 10 (with float switch) - -	- Part No. 914 62 Part No. 914 63
AF 16-25 DOT exhaust filter	Part No. 124 16	Part No. 124 16
AK 16 DOT condensate trap	Part No. 110 78	Part No. 110 78
Seal kit	Part No. 200 39 059	Part No. 200 39 059

¹⁾ To DIN 28 400 and following numbers

²⁾ Global versions only. North and South American versions are TEFC

As to the D 8 B-DOT, D 25 B-DOT and D 40 B-DOT please ask us for a quotation.